

PROPOSED PLAN OF B+G+4 STORIED RESIDENTIAL CUM COMMERCIAL (SHOPS & OFFICES) BUILDING " SEFALI COMPLEX" OF SRI ASHIM KUMAR MAITY S/O. PASHUPATI MAITY, SRI SUPRABHAT MAITY S/O. PASHUPATI MAITY & SRI SUSHIL KUMAR MAITY S/O. PASHUPATI MAITY, AT L.R. DAG NO- 534, 535, 536, 537, 540, 541, 285, 286, 287, L.R. KH. NO.-3935,4314, 4325 J.L. NO. - 76, WARD NO-8,, BAHARGARM, PNSKURA RS, UNDER PANSKURA MUNICIPALITY, PURBA MEDINIPUR

STATEMENT OF AREA:

LAND AREA (AS PER DEED)= 100.24 DEC. = 4056.83 SQM.
LAND AREA (AS PER SITE)= 97.00 DEC.=3929.02 SQM.

BLOCK - A & B:
GROUND COVERAGE= 2460.38 (37.37 %)

BASEMENT AREA = 1468.64 SQM
GR. FLOOR AREA= 1468.64 SQM.
1ST. FLOOR AREA= 1468.64 SQM.
3RD. FLOOR AREA= 1468.64 SQM.
4TH. FLOOR AREA= 1468.64 SQM.

TOTAL AREA OF BLOCK-A & B = 8811.84 SQM.

REPRESENTED BY POWER OF ATTORNEY HOLDERS

SIGNATURE OF OWNER

SIGNATURE OF ARCHITECT
PINAKI ROY KARMAKAR
C.O.A REGD. NO. - CA / 2003 / 30951
VALID TILL - 31 / 12 / 2034

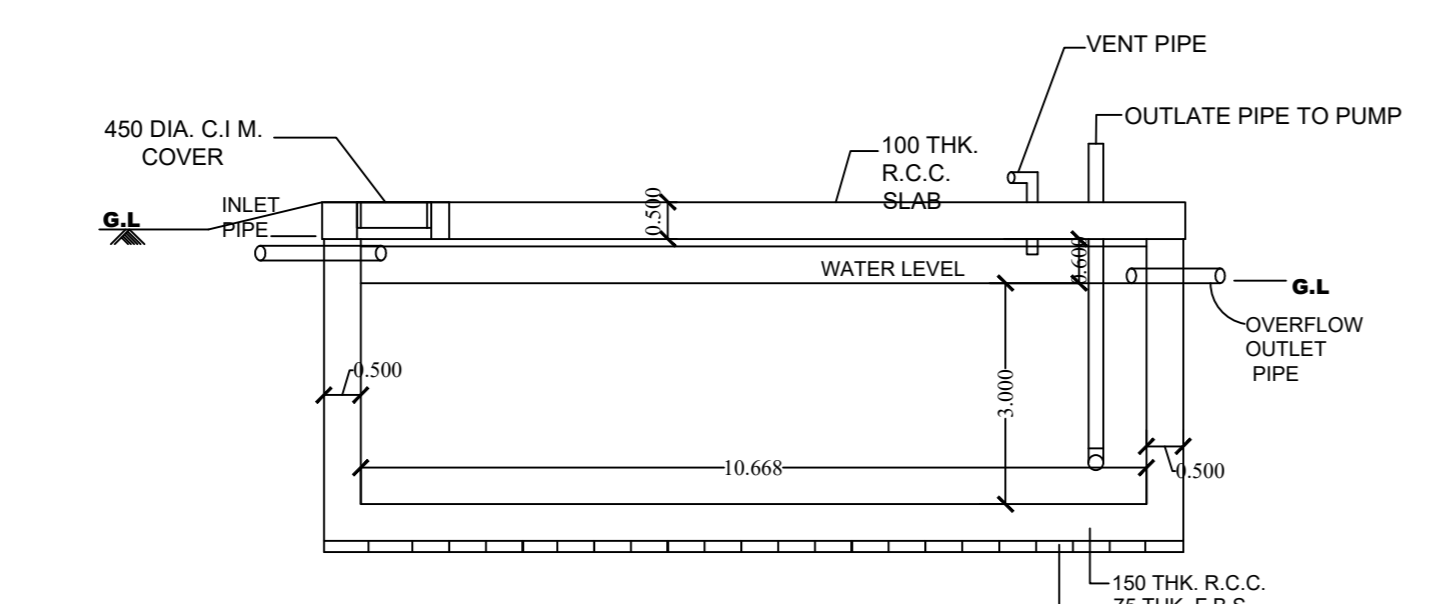
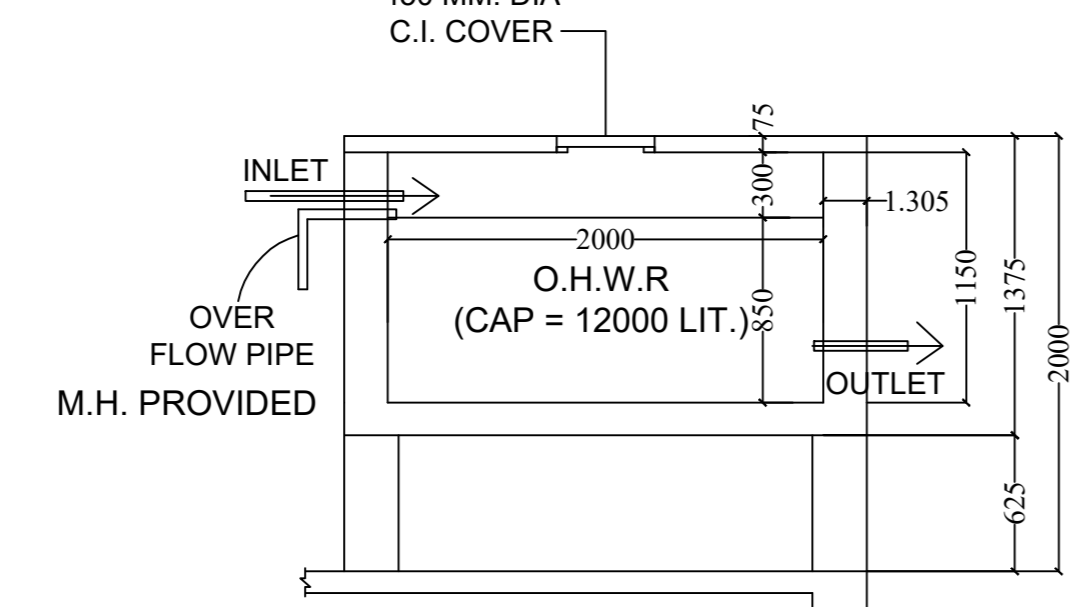
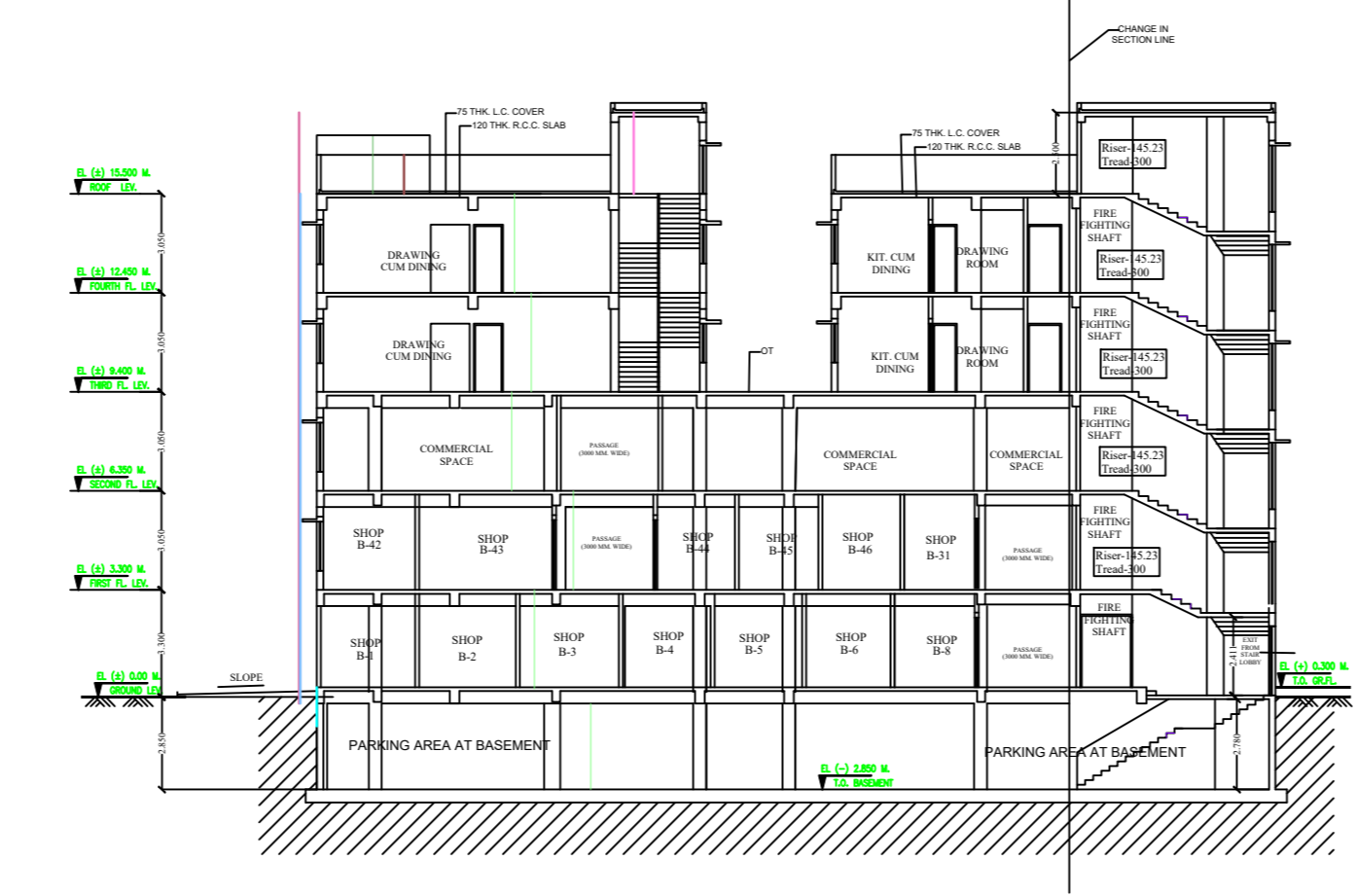
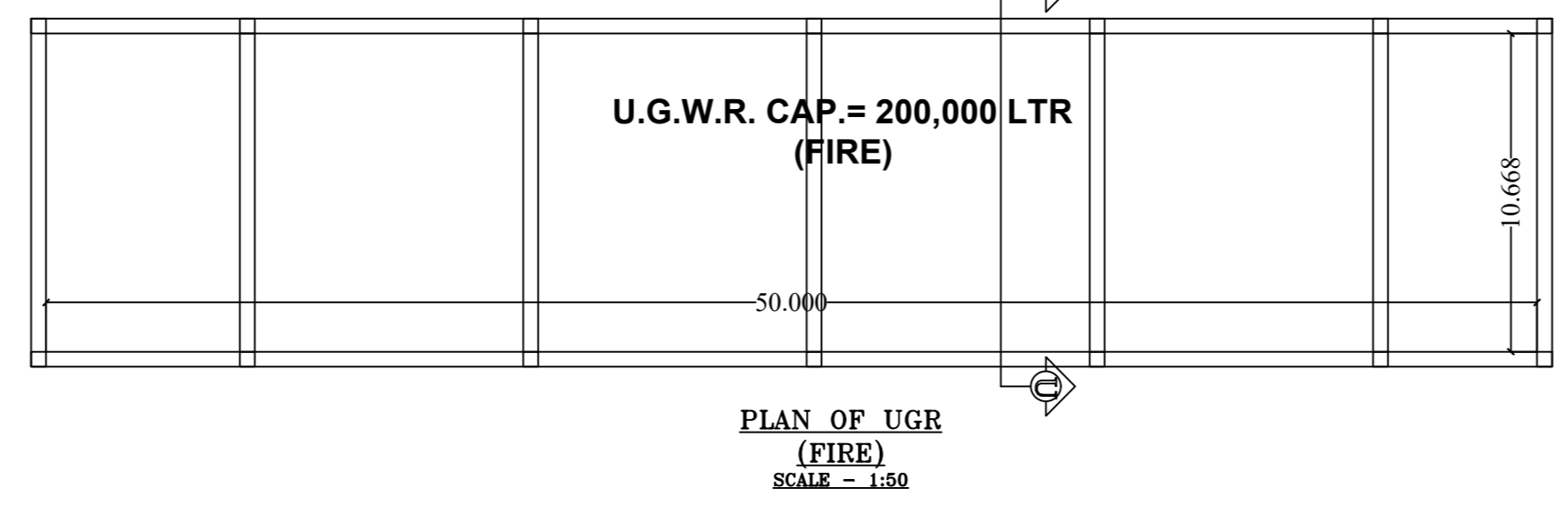
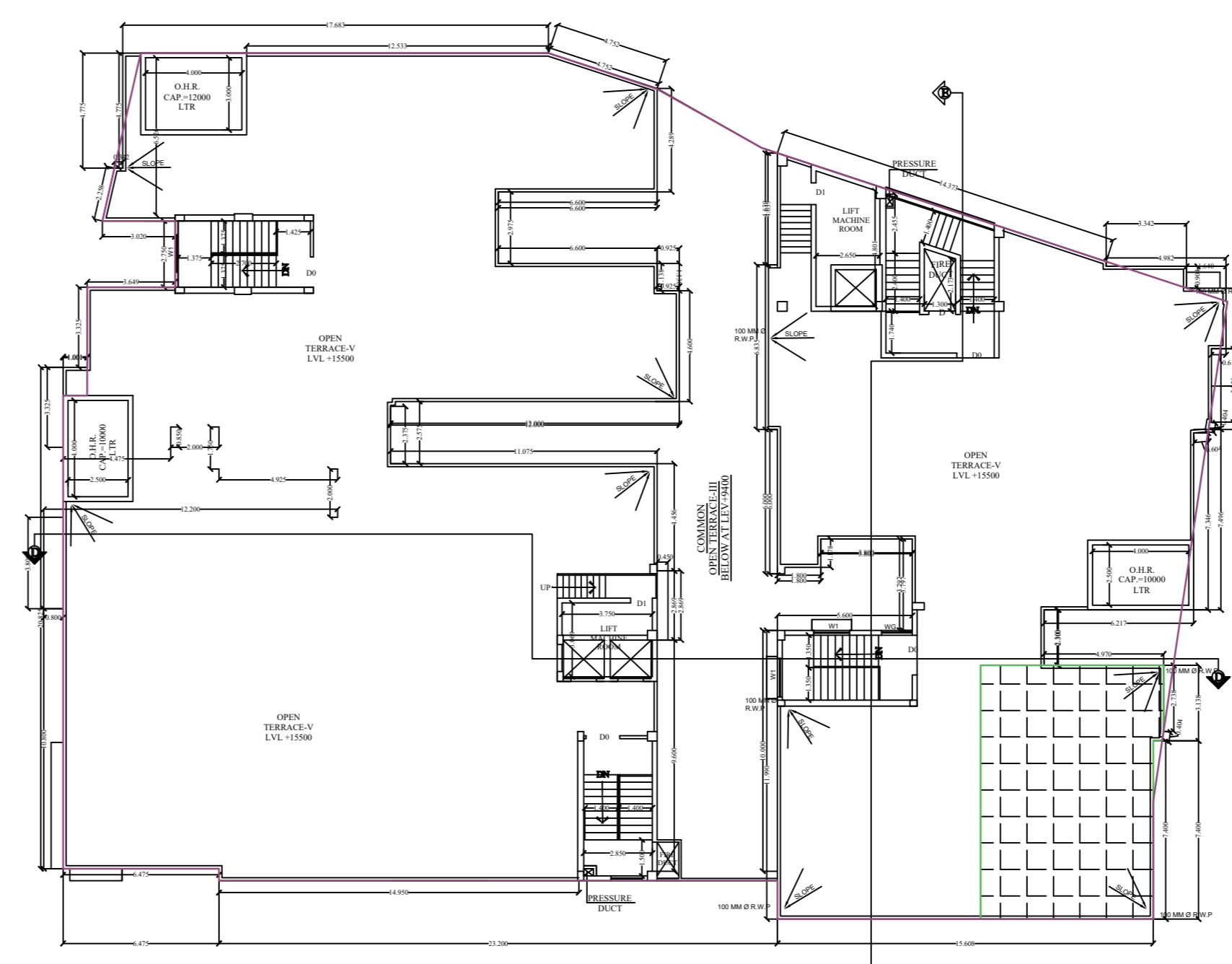
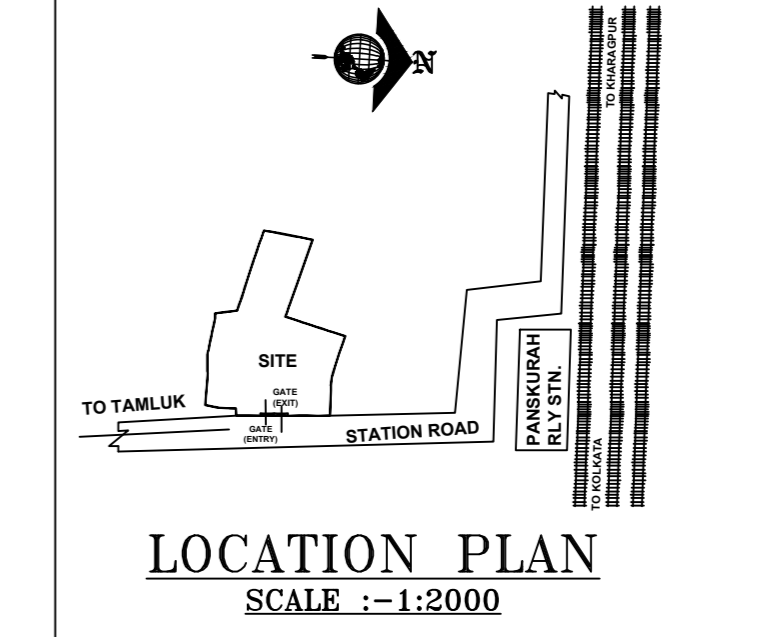
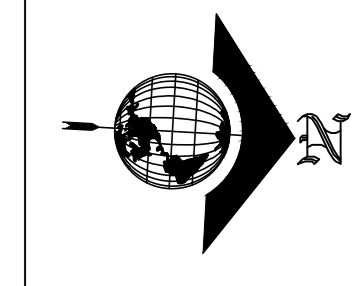
APPROVED BY

SCHEDULE OF DOOR & WINDOWS

TYPE	SIZE	TYPE	SIZE
D	1050 X 2100	W1	1500 X 1200
D1	900 X 2100	W2	1200 X 1200
D2	750 X 2100	W2'	1200 X 1050
D3	1200 X 2100	W3	1800 X 1050
D4	1500 X 2100	W4	1800 X 1200
D5	700 X 2100	W5	1050 X 1050
DW	1800 X 2100	W6	600 X 600
DW1	2400 X 2100	W7	3800 X 600 (BAY-WIN)
DW2	2000 X 2100	W8	1050 X 1200
		WG	STRUCTURAL GLAZING

SPECIFICATION
1. FOUNDATION - R.C. CRAFT FOUNDATION
2. SUPERSTRUCTURE - R.C.C. FRAME STRUCTURE WITH 200/250 THK (UNLESS AND OTHERWISE MENTIONED)
3. EXTERNAL WALL WITH 1:4 CEMENT MORTAR AND INTERNAL WALL 125 mm/75MM THK. (UNLESS AND OTHERWISE MENTIONED)
4. FLOORING - MARBLE FLOORING / 1:1 S. FLOORING
5. WINDOWS - SAL WOOD FRAME AND GLAZED GAMMA WOOD SHUTTER
6. PLASTER - EXTERNAL WALL - 20mm THK. SAND CEMENT 1:3 IN PROPORTION/INTERNAL WALL - 15mm THK. SAND CEMENT 1:6 IN PROPORTION. CEILING - 10mm THK. SAND CEMENT WITH 1:4 IN PROPORTION.
7. ROOF - 75 THK. (AVG.) ROOF TREATMENT
8. PAINTING - EXTERNAL SURFACE WITH CEMENT BASED PAINT/INTERNAL WALL AND CEILING WALL PUTTY AND DOORS, WINDOWS WITH SYNTHETIC ENAMEL PAINT.
9. ELECTRICAL & PLUMBING WORK - ALL CONFORMING TO I.S. CODE.

ARCHITECTURAL DRAWING BLOCK



DETAIL OF UGR (FIRE)
TOTAL CAPACITY OF O.H.R. = 5.334 X 25 X 1.5 CUM = 200 CUM = 2,00,000 LITER

